

CONSTRUCTION EQUIPMENT

SUNWARD
INNOVATION LEADS TO VALUE

MEDIUM EXCAVATOR

SWE335F

Engine Power: **280 HP / 209 kW**

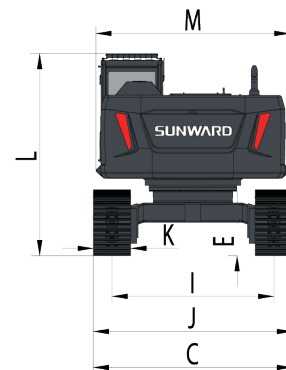
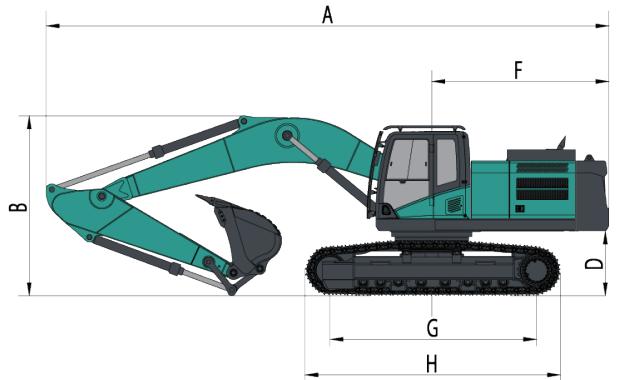
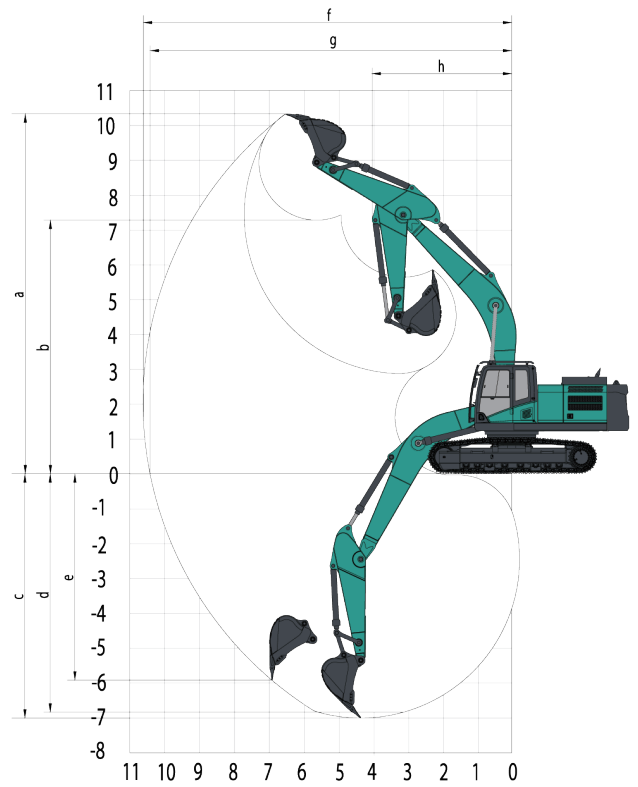
Machine Weight: **74,075 lbs / 33 600 kg**



TECHNICAL PARAMETERS

Performance parameters			
working weight	33600 kg	74075 lb	
Standard bucket capacity	1.7 m ³	2.2 yd ³	
Performance			
Bucket Digging Force	214 kN	48109 lbf	
Boom Digging Force	165 kN	37093 lbf	
Max. Traction	297 kN	66768 lbf	
Max climbing angle	70 %	70 %	
Ground Pressure	63.8 kPa	9.2 psi	
Travel Speed(Max/Min)	5.8/3.6 km/h	3.6/2.2 mph	
Swing speed	9 rpm	9 rpm	
Oil tank capacity			
Fuel Tank	600 L	158 Gal	
Hydraulic Oil Tank	400 L	105 Gal	
Engine			
Brand	Cummins	Cummins	
Model	B6.7-129-SV	B6.7-129-SV	
Power	209/2000 kw/rpm	280/2000 HP/rpm	
Max torque	1280/1500 N.m/rpm	944/1500 lbf.ft/rpm	
Displacement	6.7 L	408.8 in ³	
Hydraulic system			
Main pump	Brand	Hengli	Hengli
	Model	V90N180	V90N180
	Type	Variable plunger pump	Variable plunger pump
	Max flow	2×296 L/min	2×78.2 gpm
	Working Pressure	34.3 MPa	4975 psi
Pilot pump	Type	Gear pump	Gear pump
	Max flow	27 L/min	7.1 gpm
	Working Pressure	3.9 MPa	565 psi
AUX-1 pipe flow(breaker)		296 L/min	78.2 gpm
AUX-2 pipe flow		36 L/min	9.5 gpm
Main valve	Brand	Hengli	Hengli
	Model	HVME270B	HVME270B
Swing motor	Brand	Hengli	Hengli
	Model	HM5X180CHB/FSM180A	HM5X180CHB/FSM180A
Travel motor	Brand	Eddie	Eddie
	Model	FTM60A	FTM60A

Working range			
	Boom length	6150 mm	242 in
	Arm length	2900 mm	114 in
a	Max. Cutting Height	10330 mm	406 in
b	Max. Loading Height	7280 mm	286 in
c	Max. Digging Depth	7010 mm	276 in
d	Digging Depth(2.44 meter)	6840 mm	269 in
e	Max. Vertical Wall Digging Depth	5920 mm	233 in
f	Max. Digging Reach	10570 mm	416 in
g	Max. Reach at Ground Level	10370 mm	408 in
h	Min swing radius in the front	4005 mm	157 in



Outline dimension							
A	Total length	10866 mm	428 in	H	Track Length	4860 mm	191 in
B	Total height	3600 mm	142 in	I	Shoe distance	2590 mm	102 in
C	Total width	3190 mm	125 in	J	Track width	3190 mm	125 in
D	Counterweight Clearance	1235 mm	49 in	K	Shoe Width	600 mm	23.6 in
E	Chasis ground clearance	530 mm	21 in	L	Max height of total machine	3600 mm	142 in
F	Tail swing radius	3520 mm	138 in	N	Swing width	3110 mm	122 in
G	Track length on the ground	3930 mm	155 in				

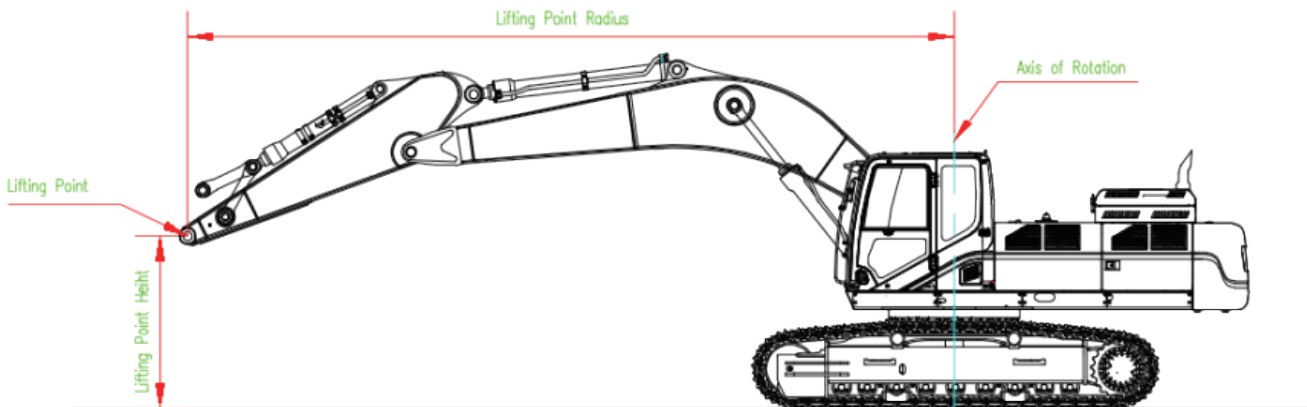
★The above parameters may be different due to product upgrading.

▪ 335F lifting capacity

Lift Point height (mm/in)	Lift Point Radius (4m 13ft)		Lift Point Radius (5m 16ft)		Lift Point Radius (6m 20ft)		Lift Point Radius (7m 23ft)		Lift Point Radius (8m 26ft)	
	Machine front (kg/lb)	Machine side (kg/lb)	Machine front (kg/lb)	Machine side (kg/lb)	Machine front (kg/lb)	Machine side (kg/lb)	Machine front (kg/lb)	Machine side (kg/lb)	Machine front (kg/lb)	Machine side (kg/lb)
7000 23	/ /	/ /	/ /	/ /	/ /	/ /	7059 15562	7059 15562	/ /	/ /
6000 20	/ /	/ /	/ /	/ /	7330 16160	7330 16160	7113 15682	7113 15682	5750 12677	5750 12677
5000 16	/ /	/ /	8711 19203	8711 19203	7927 17476	7927 17476	7425 16370	7425 16370	7161 15787	6141 13538
4000 13	/ /	/ /	10013 22075	10013 22075	8699 19178	8699 19178	7888 17389	7388 16287	7387 16285	6048 13334
3000 10	/ /	/ /	11389 25109	11389 25109	9545 21042	8970 19775	8418 18558	7199 15870	7694 16961	5935 13083
2000 7	/ /	/ /	12595 27768	11211 24716	10335 22785	8693 19165	8935 19698	7019 15473	8010 17658	5821 12833
1000 3	/ /	/ /	13434 29616	10907 24045	10958 24158	8474 18682	9364 20643	6868 15142	8272 18236	5724 12620
0 0	14089 31060	14089 31060	13849 30533	10732 23660	11340 25001	8327 18358	9639 21251	6761 14905	8326 18355	5657 12471

Notes:

1. The value with * symbol is the rated lifting capacity (calculated out in accordance with 87% of the test data);
2. The value without * symbol is the anti-tipping capacity (calculated in accordance with 75% of the test data).
3. A: the distance from swing center to the vertical line of heavy object; B: the distance from bucket mounting pin and horizontal plane.



Sunward America and Sunward Canada

Please check our website for our current list of dealers.


Calgary, AB


Dallas, TX

SUNWARD AMERICA CORP

 2710 Geesling Road, Denton, TX 7620


 (469) 353-6890

 Contact@sunwardamerica.com

 www.sunwardamerica.com

SUNWARD CANADA EQUIPMENT INC.

 2055 Pegasus Rd NE, Calgary, AB T2E 8C3

 (403) 370-9870

 Canada@sunward.cc

 www.sunwardca.com

DEALER CONTACTS