

COMPACT EXCAVATOR

# SWE50UF

Engine Power: **39.8HP/29.7 kW**

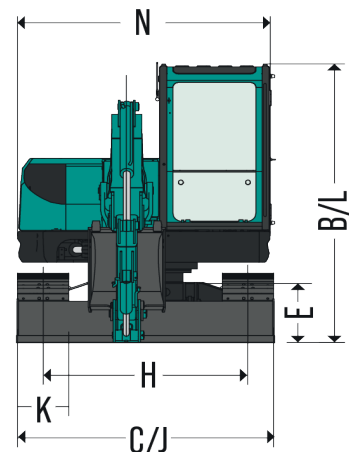
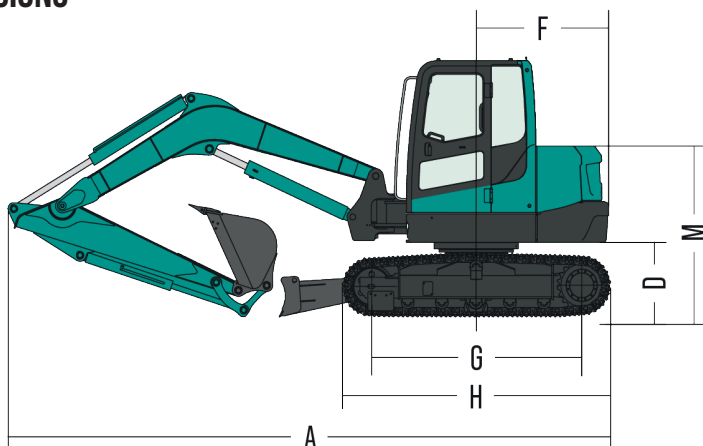
Machine Weight: **11,797 lbs/5 350 kg**



# TECHNICAL PARAMETERS

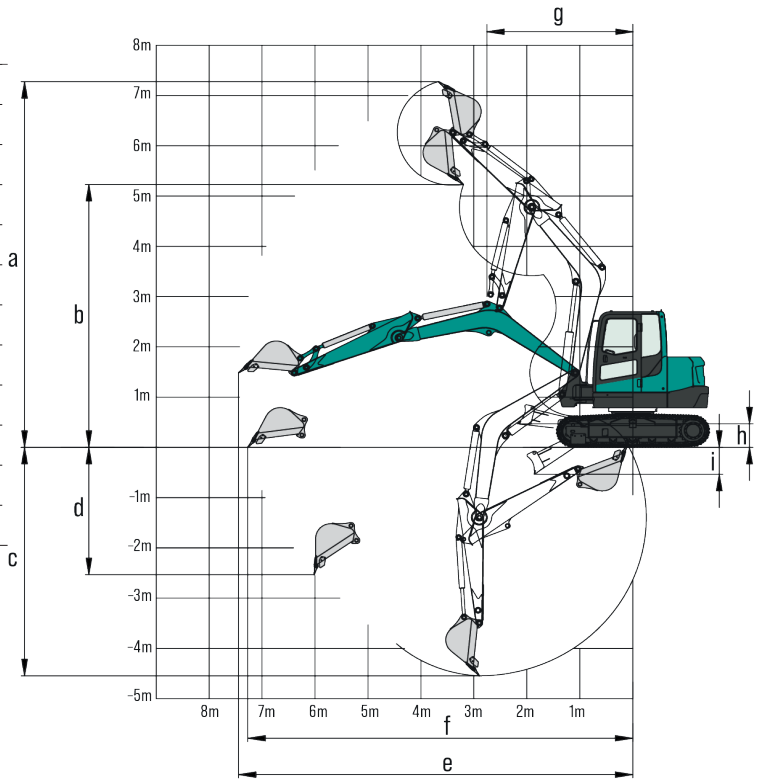
		Imperial	Metric
TYPE OF CAB		Cab	Cab
BUCKET CAPACITY		0.18yd <sup>3</sup>	0.14m <sup>3</sup>
BUCKET WIDTH, STD.		25.6 in	650 mm
MACHINE WEIGHT		11,797 lbs	5350 kg
DIMENSIONS	Overall dimension (L × W × H)	214.6 x 78.7 x 101.2 in	5435 x 2000 x 2570 mm
	A Total length	214 in	5435 mm
	B Total height	101.2 in	2570 mm
	C Total with	78.7 in	2000 mm
	D Ground clearance of counter weight	25.2 in	640 mm
	E Minimum ground clearance	13 in	330 mm
	F Tail swing radius	41.3 in	1050 mm
	G Track length on the ground	78.1 in	1985 mm
	H Track length	98 in	2490 mm
	I Track gauge	63 in	1600 mm
	J Undercarriage width	78.7 in	2000 mm
	K Track shoe width	15.7 in	400 mm
	L Cab height	101.2 in	2570 mm
	M		
N Width of turntable	72.6 in	1845 mm	
ENGINE	Max digging force (Bucket)	7643 lbf	34 kN
	Max digging force (Arm)	5170 lbf	23 kN
	Brand	KUBOTA	KUBOTA
	Model	D1803-T	D1803-T
	Emission rating	Teir 4 Final	Teir 4 Final
TRACK	Displacement	109.8 in <sup>3</sup>	1.8 L
	Output	39.8HP/2,200 rpm	29.7kW / 2 200 rpm
	Max torque	110.6/1500 lbf.ft./rpm	150/1500 N*m/rpm
	Type	Rubber Track	Rubber Track
	Rubber shoe width	15.7 in	400 mm
UNDERCARRIAGE	Track length	98 in	2490 mm
	Traveling speed (High/Low)	2.7/1.6 mph	4.3/2.5 km/h
	Gradeability	35 deg	35 deg
SWING SPEED		10.7 rpm	10.7 rpm
GROUND PRESSURE		4.5 psi	31 kpa
HYDRAULIC PUMPS	Hydraulic pump type	1 variable plunger pumps	1 variable plunger pumps
	Max displacement of hydraulic pump	29 gal/min	110 L/min
	Hydraulic pressure of hydraulic pump	3771 psi	26 Mpa
	Pilot pump		
	Max displacement of pilot pump	4 gal/min	15 L/min
	Hydraulic pressure of pilot pump	507.6 psi	3.5 Mpa
SWING MOTOR		Plunger motor	Plunger motor
TRAVEL MOTOR		Variable plunger motor	Variable plunger motor
FUEL TANK CAPACITY		18.5 gal	70 L
HYDRAULIC OIL TANK CAPACITY		18.5 gal	70 L

## DIMENSIONS



# WORKING RANGE

		Imperial	Metric
WORKING RANGE & BREAKOUT FORCE	a	Max. Cutting height	217.9 in 5535 mm
	b	Max. Loading height	155.7 in 3955 mm
	c	Max. Digging depth	132.9 in 3375 mm
	d	Max. Vertical digging depth	116.7 in 2965 mm
	e	Max. Digging reach	233.9 in 5940 mm
	f	Max. Reach on ground	230.1 in 5845 mm
	g	Min. Front swing radius	99.4 in 2525 mm
	h		
	i		
		Max digging force (Bucket)	7643 lbf 34 kN
		Max digging force (Arm)	5170 lbf 23 kN





## Sunward America and Sunward Canada

Please check our website for our current list of dealers.

### SUNWARD AMERICA CORP

✉ 2710 Geesling Road  
Denton, TX 76208

☎ (469) 353-6890  
✉ [Contact@sunwardamerica.com](mailto:Contact@sunwardamerica.com)  
🌐 [www.sunwardamerica.com](http://www.sunwardamerica.com)

### DEALER CONTACTS