

CONSTRUCTION EQUIPMENT

SUNWARD
INNOVATION LEADS TO VALUE

MEDIUM EXCAVATOR

SWE335F

Engine Power: **280 HP / 209 kW**

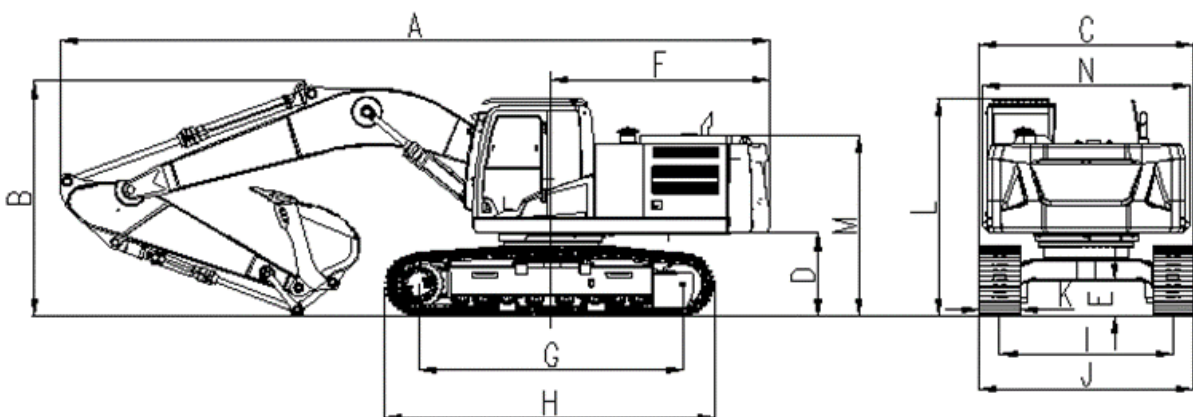
Machine Weight: **74,075 lbs / 33 600 kg**



TECHNICAL PARAMETERS

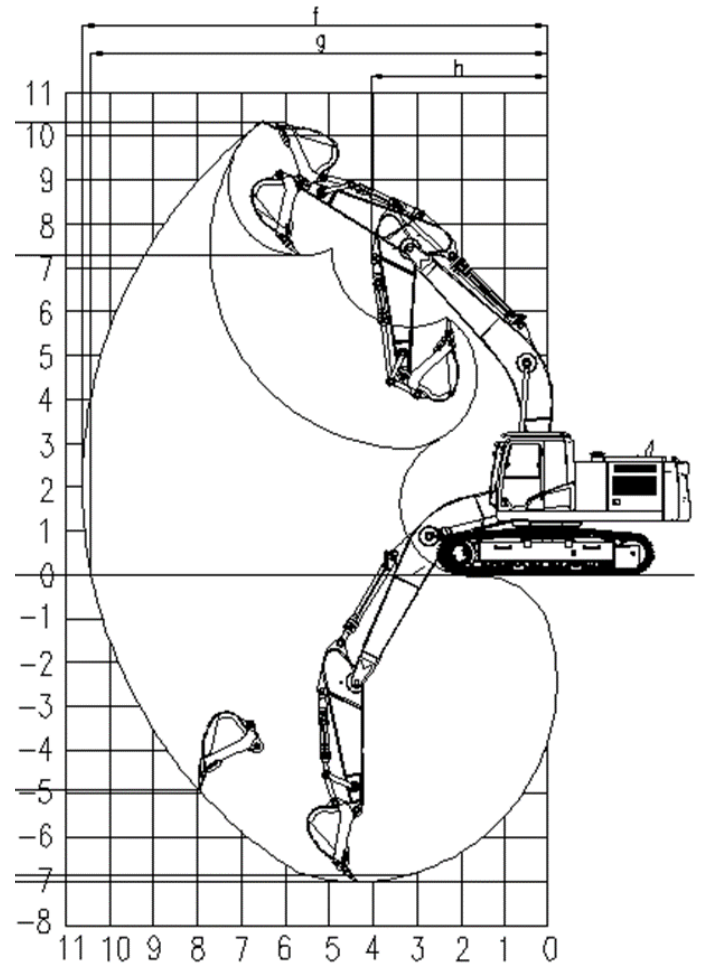
		Imperial	Metric
TYPE OF CAB		Cab	Cab
BUCKET CAPACITY		2.22 yd ³	1.7 m ³
BUCKET WIDTH, STD.		58"	1480 mm
MACHINE WEIGHT		74,075 lb	33 600 kg
DIMENSIONS	Overall dimension (L × W × H)	35'8" × 10'6" × 11'10"	10866 × 3190 × 3600 mm
	A Total length	35'8"	10866 mm
	B Total height	11'10"	3600 mm
	C Total with	10'6"	3190 mm
	D Ground clearance of counter weight	4'1"	1235 mm
	E Minimum ground clearance	1'9"	530 mm
	F Tail swing radius	11'7"	3520 mm
	G Track length on the ground	12'11"	3930 mm
	H Track length	15'11"	4860 mm
	I Track gauge	8'6"	2590 mm
	J Undercarriage width	10'6"	3190 mm
	K Track shoe width	1'12"	600 mm
	L Cab height	10'8"	3230 mm
	M Height of engine hood	8'10"	2690 mm
	N Width of turntable	10'2"	3110 mm
	Boom length	20'2"	6150 mm
	Arm length	9'6"	2900 mm
ENGINE	Brand	CUMMINS	CUMMINS
	Model	B6.7	B6.7
	Type	High pressure common rail	High pressure common rail
	Emission rating	Tier 4 Final	Tier 4 Final
	Displacement	1.77gal	6.7 L
	Output	280hp/ 2,000 rpm	209 kW / 2 000 rpm
TRACK	Type	Steel track	Steel track
	Rubber shoe width	1'12"	600 mm
UNDERCARRIAGE	Track length	15'11"	4860 mm
	Traveling speed (High/Low)	6343 / 3930 yd/h	5.8 / 3.6 km/h
	Gradeability	35 deg	35 deg
SWING SPEED		9 rpm	9 rpm
GROUND PRESSURE		63.8 kpa	63.8 kpa
HYDRAULIC PUMPS	Hydraulic pump type	2×Variable piston pump	2×Variable piston pump
	Max displacement of hydraulic pump	2×78.19 gal/min	2×296 L/min
	Hydraulic pressure of hydraulic pump	34.3 Mpa	34.3 Mpa
	Pilot pump	1×Gear pump	1×Gear pump
	Max displacement of pilot pump	7.33 gal/min	27.75 L/min
	Hydraulic pressure of pilot pump	3.9 Mpa	3.9 Mpa
SWING MOTOR		Piston motor	Piston motor
TRAVEL MOTOR		Piston motor	Piston motor
FUEL TANK CAPACITY		158.49 gal	600 L
HYDRAULIC OIL TANK CAPACITY		105.66 gal	400 L

DIMENSIONS



WORKING RANGE

		Imperial	Metric
WORKING RANGE & BREAKOUT FORCE	a	Max. cutting height	33'11" 10330 mm
	b	Max. loading height	23'11" 7280 mm
	c	Max. digging depth	22'12" 7010 mm
	d	Max. digging depth (2.4 m)	22'5" 6840 mm
	e	Max. vertical digging depth	19'5" 5920 mm
	f	Max. digging reach	34'8" 10570 mm
	g	Max. reach on ground	34' 10370 mm
	h	Min. front swing radius	13'2" 4005 mm
		Max digging force (Bucket)	48,109 lbf 214 kN
		Max digging force (Arm)	37,093 lbf 165 kN



Sunward America and Sunward Canada

Please check our website for our current list of dealers.



SUNWARD AMERICA CORP

✉ 2710 Geesling Road
Denton, TX 76208

☎ (469) 353-6890

✉ Contact@sunwardamerica.com

🌐 www.sunwardamerica.com

DEALER CONTACTS