

ELECTRIC
COMPACT EXCAVATOR

SWE10FED

Engine Power: **7.4 HP/5.5 kW**

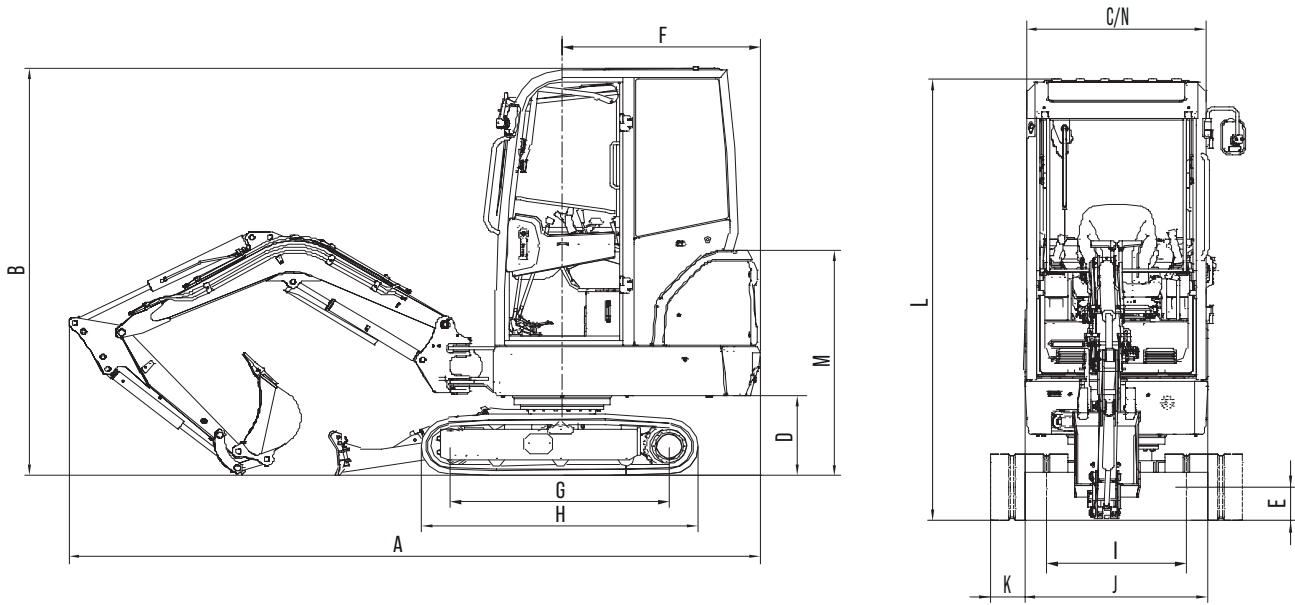
Machine Weight: **2,227lbs/1 010 kg**



TECHNICAL PARAMETERS

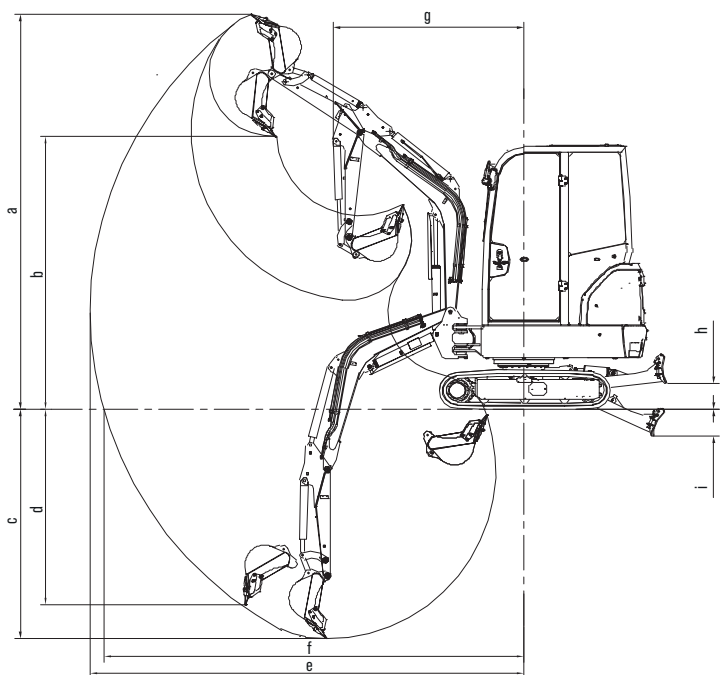
		Imperial	Metric	
TYPE OF CAB		Canopy	Canopy	
BUCKET CAPACITY		0.029 yd ³	0.022 m ³	
BUCKET WIDTH, STD.		12.5 in	320 mm	
MACHINE WEIGHT		2227 lbs	1010 kg	
DIMENSIONS	Overall dimension (L × W × H)	1104.3 x 29.3 x 88.7 in	2675 x 750 x 2275 mm	
	A Total length	104.3 in	2675 mm	
	B Total height	88.7 in	2275 mm	
	C Total with	29.3/39 in	750/1000 mm	
	D Ground clearance of counter weight	16.4 in	420 mm	
	E Minimum ground clearance	5.1 in	130 mm	
	F Tail swing radius	30.2 in	775 mm	
	G Track length on the ground	38 in	975 mm	
	H Track length	50.7 in	1300 mm	
	I Track gauge	22.2/32 in	570 /820 mm	
	J Undercarriage width	29.3/39 in	750/1000 mm	
	K Track shoe width	7 in	180 mm	
	L Cab height	88.7 in	2275 mm	
	M Height of engine hood	42 in	1077 mm	
	N Width of turntable	28.9 in	740 mm	
		Boom length	52.7 in	1350 mm
		Arm length	27.3 in	700 mm
POWER SOURCE	Battery type	Lithium-ion	Lithium-ion	
	System voltage	73.6 V	73.6 V	
	Emissions	Zero emissions at point of use	Zero emissions at point of use	
MOTOR	Type	3-Phase induction	3-Phase induction	
	Power	7.4 HP	5.5 kW	
	Torque	14.3 lbf.ft	19.4 N*m	
TRACK	Type	Rubber track	Rubber track	
	Rubber shoe width	7 in	180 mm	
UNDERCARRIAGE	Track length	50.7 in	1300 mm	
	Traveling speed (High/Low)	1.8/0.9 mph	2.9/1.5 km/h	
	Gradeability	30 deg	30 deg	
SWING SPEED		9 rpm	9 rpm	
GROUND PRESSURE		3.6 psi	24.5 kpa	
HYDRAULIC PUMPS	Hydraulic pump type	2 x Gear pump	2 x Gear pump	
	Max displacement of hydraulic pump	2 x 2.6 gal/min	2x9.9 L/min	
	Hydraulic pressure of hydraulic pump	2320 psi	16 Mpa	
	Max displacement of pilot pump	2.6 gal/min	9.9 L/min	
	Hydraulic pressure of pilot pump	566 psi	3.9 Mpa	
SWING MOTOR		Cycloid motor	Cycloid motor	
TRAVEL MOTOR		Cycloid motor	Cycloid motor	
HYDRAULIC OIL TANK CAPACITY		2.8 gal	10.7 L	

DIMENSIONS



WORKING RANGE

		Imperial	Metric
WORKING RANGE & BREAKOUT FORCE	a	Max. cutting height	97.7 in / 2505 mm
	b	Max. loading height	67.1 in / 1720 mm
	c	Max. digging depth	56.2 in / 1440 mm
	d	Max. digging depth (2.4 m)	
	e	Max. digging reach	111 in / 2845 mm
	f	Max. reach on ground	106.7 in / 2735 mm
	g	Min. front swing radius	52.7 in / 1350 mm
		Max digging force (Bucket)	2113 lbs / 9.4 kN
		Max digging force (Arm)	1304 lbs / 5.8 kN



Sunward America and Sunward Canada

Please check our website for our current list of dealers.



SUNWARD AMERICA CORP

✉ 2710 Geesling Road
Denton, TX 76208

☎ (469) 353-6890

▶ Contact@sunwardamerica.com

🌐 www.sunwardamerica.com

DEALER CONTACTS